

Teach-In Setting

J2 series

Complete water-proof teach-in sensor

It's new! All the BGS(background suppression) Narrow angle, Small spot, and all other latest functions available by Teach-in setting. Diffuse Type gives 1 meter long distance.

■ Narrow View

Cable type J2D-H10N, J2D-S10N, J2D-H10P, J2D-S10P
M8 Connector type J2D-H10CN, J2D-S10CN, J2D-H10CP, J2D-S10CP

■ Diffuse type (Infrared), Longer distance

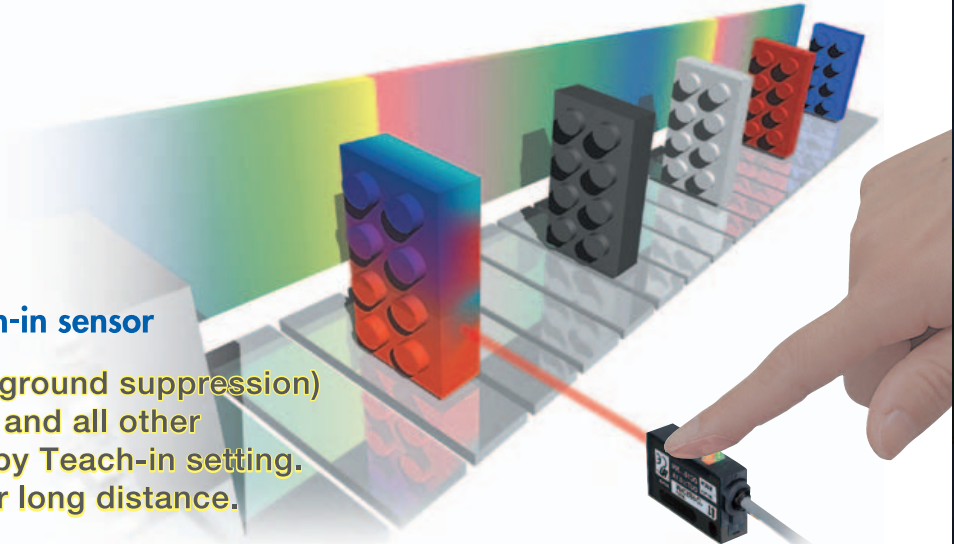
Cable type J2D-H100N, J2D-S100N, J2D-H100P, J2D-S100P
M8 Connector type J2D-H100CN, J2D-S100CN, J2D-H100CP, J2D-S100CP

■ Diffuse type (Red)

Cable type J2D-H70N, J2D-S70N, J2D-H70P, J2D-S70P
M8 Connector type J2D-H70CN, J2D-S70CN, J2D-H70CP, J2D-S70CP

■ BGS

Cable type BGS-H15N, BGS-S15N, BGS-H15P, BGS-S15P
M8 Connector type BGS-H15CN, BGS-S15CN, BGS-H15CP, BGS-S15CP



Features

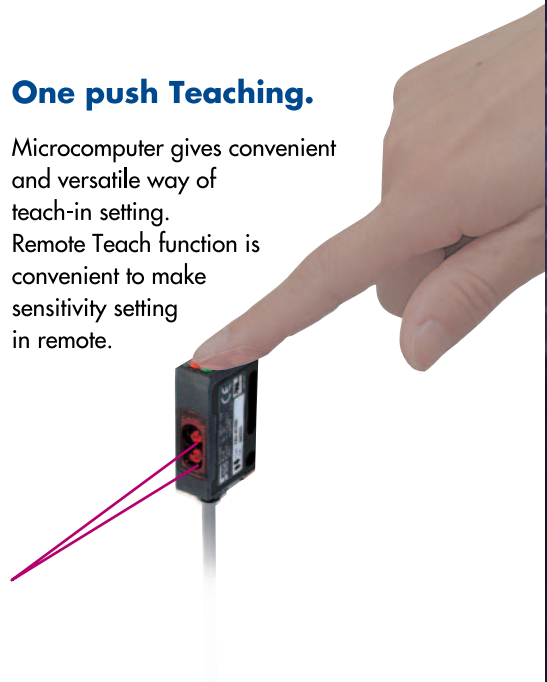
Complete Water-proof

Fully epoxy injected inside the body.(IP67)
Protection category 100G means tough and rigid mechanics.



One push Teaching.

Microcomputer gives convenient and versatile way of teach-in setting. Remote Teach function is convenient to make sensitivity setting in remote.



Narrow View Diffuse.

Narrow View with 1.5mm diameter spot at 100mm distance.
Sharp angle of view as the ideal way of targeting tiny work piece through crevice of wall.



1 meter scanning distance with Diffuse reflection.



Specifications J2series < Epoxy Infrared, 100G Shock / Water proof type >

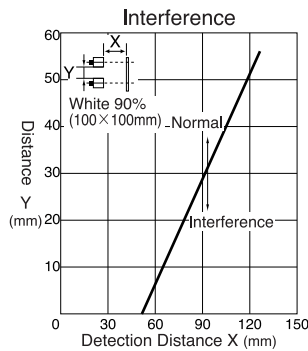
Model	Narrow View	Diffuse Reflection (IR)	Diffuse Reflection (Red)	BGS
Cable type NPN/PNP	J2D-H(S)10N/10P	J2D-H(S)100N/100P	J2D-H(S)70N/70P	BGS-H(S)15N/15P
M8 connector type NPN/PNP	J2D-H(S)10CN/10CP	J2D-H(S)100CN/100CP	J2D-H(S)70CN/70CP	BGS-H(S)15CN/15CP
(Remark)	*H = horizontal, S = vertical			
Sensing range	100m	1000m	700m	50-150mm
Power consumption				45mA Max
Response time				2.5m sec Max
Hysteresis				8% @ 100mm
Spot size	∅1.5mm@100mm	∅85mm@1000mm	∅50mm@600mm	∅10mm @ 150mm
Light source	Red	Infrared		Red
Supply voltage	10 to 30 V DC including 10% of ripple			
Control output	NPN or PNP Open collector, 100mA Max / 30V DC			
Sensitivity adjustment	Teach-in(Available Remote Teach-in)			
Shock resistance	100G(1,000m/S ²),X-Y-Z axis 3times			
Remarks	Connector is M8, both 4 pins and 3 pins are available			

Common Specs J2series

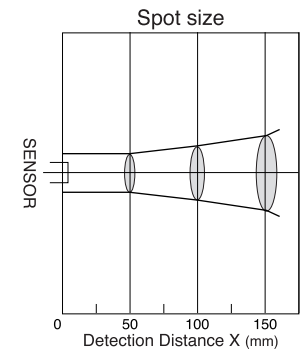
Type	All J2 series
Operation Mode	Light ON/Dark ON switchover
Ambient Temp	-25 up to 55 °C
Ambient humidity	35 to 95% RH
Storage conditions	-40 to 70 °C, 35 to 95% RH
Environment illuminance	Sunlight:10,000 lux max., Incandescent lamp:3,000 lux max.
Insulation resistance	Min. 20 M Ohm/DC500V
Conformity	JIS, CE, CЯU
(JIS C4525)	1 μ sec,300V
Feilen Test	Level 3
VDE protection	Class 3
Vibration resistance	10 50 55 Hz amplitude 1.5mm, X-Y-Z for 2 hours
Protection category	IP67
Housing Material	Case:PBT,Lens:PMMA

Typical Characteristics(Examples)

●J2D-H(S)10N(P)

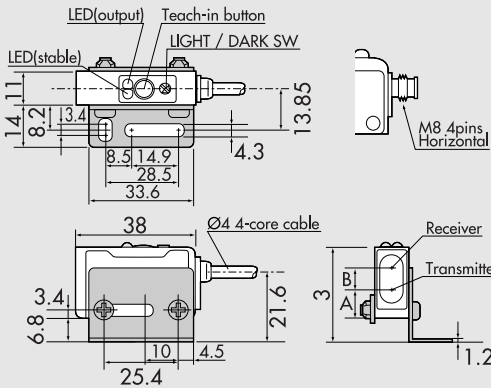


●BGS-H(S)15N(P)

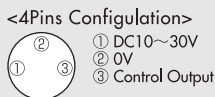


Dimensions

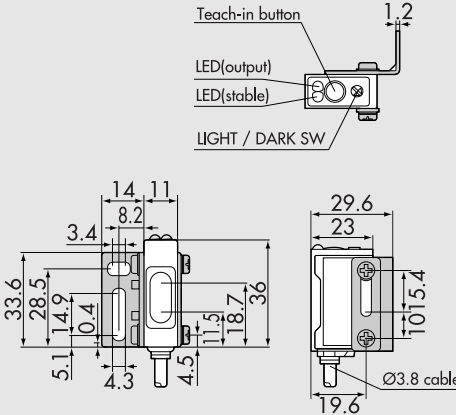
●Head ON type



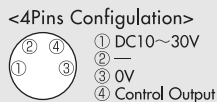
Axis	A	B
BGS	9.25	6.9
Mark sensor	9.65	6



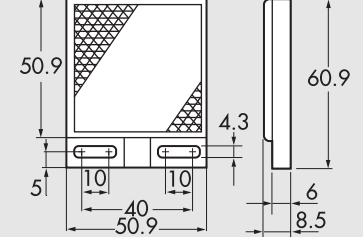
●Side ON type



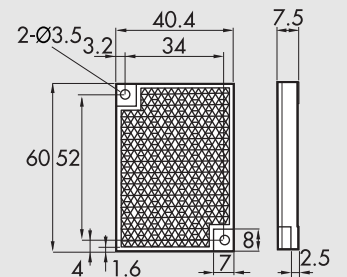
Axis	A	B
BGS	9.25	6.9
Mark sensor	9.65	6



●Standard reflector V-61



●Anti-blur reflector V-60k



Unit : mm

*Technical date, specsheet, instruction manual and this catalogue is available for download. Visit our Website ; <http://www.optex-fa.com>
For technical support please call our authorized distributor in your country that is also listed in our Website.

OPTEX FA

OPTEX FA CO., LTD.

607-8085 Kyoto, Yamashina-ku, Takehanadounomae-cho 46-1, Japan
TEL +81-75-594-8123 FAX +81-75-594-8124

74513-01-0505