



**NOTIFICATIO of END of LIFE PRODUCT**  
**BGF Series Fiber Sensor**

May 9, 2024

To whom it may concern,

OPTEX FA Co., Ltd. appreciates and values your business.  
We are announcing End of Life of the following products:

**Product Description**

<b>BGF Series</b>	<b>Fiber Sensor</b>	
	<b>NPN output</b>	<b>PNP output</b>
Cable type	BGF-N	BGF-P
Connector type	BGF-CN	BGF-CP

\*Including special order specifications and derivative products of the above products

**Reason for EOL**

End of supply of key components

**Last Order Acceptance Date**

Immediately applicable due to depletion of parts and materials.  
We're sincerely sorry for any inconvenience this may cause.

**Replacement Products**

Alternative Proposal : None

\*The lineup of fiber sensors with green LED as the light source will be eliminated.  
It is necessary to select the light source according to the application.  
For details, please contact OPTEX FA.

Thank you very much for your support for OPTEX FA products.

Sincerely,  
International Department  
OPTEX FA Co., Ltd.

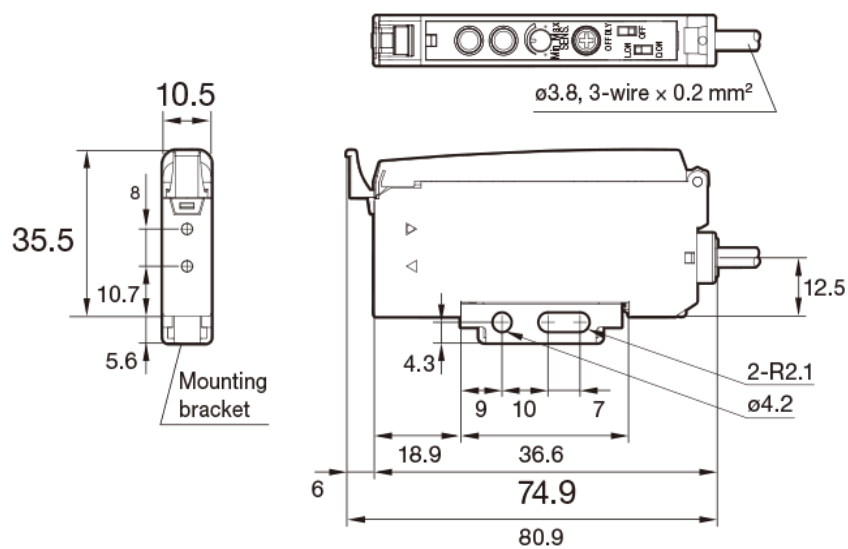
Comparison table with alternative proposals

		Discontinued Products		Alternative Proposal
Type		Cable type	Connector type	-
Model	NPN	BGF-N	BGF-CN	None
	PNP	BGF-P	BGF-CP	
Light source		Green LED		-
Response time		250 $\mu$ s		-
Distance adjustment		10-turn potentiometer		-
Indicators		Output indicator (orange LED) Stable indicator (green LED)		-
Timer function		OFF delay 40 ms fixed (can be released)		-
Output mode		Light ON/Dark ON selectable		-
Insulation resistance		20 M $\Omega$ or more (with 500 VDC)		-
Rating	Supply voltage	10 to 30 VDC, including 10 % ripple (p-p)		-
	Current consumption	25 mA or less (with 12 VDC)		-
IEC standards		CE certification		-
Environmental resistance	Ambient temperature/humidity	-25 to +55 °C (no freezing) 35 to 85 % RH (no condensation)		-
	Ambient illuminance	Sunlight: 10,000 lx Incandescent lamp: 3,000 lx		-
	Vibration resistance	10 to 55 Hz; double amplitude 1.5 mm; 2 hours in each of the X, Y, and Z directions		-
	Degree of protection	IEC standard, IP66		-
Material		Housing: PBT cover: Polycarbonate		-
Included accessories		Mounting bracket		-

\*For details, please contact OPTEX FA.

Dimensions (mm)

Cable type



Connector type

