



PRODUCT CHANGE NOTIFICATION
Y branch cable for Through-beam Edge Laser Sensors TD-1 Series

June 22, 2023

To whom it may concern,

OPTEX FA Co., Ltd. appreciates and values your business.

We would like to inform you that the shape and cable diameter of the male connector (one end) of Y branch cable (TDCN-Y2-M8) for Through-beam Edge Laser Sensors TD1 Series will be changed.

The reason for this change is to improve parts availability.

There is no change in performance or product specifications.

Modified Model

TDCN-Y2-M8

Y branch cable included with Through-beam Edge Laser Sensors TD-1 Series

*This also applies to shipments of TDCN-Y2-M8 cable only.

Target lot

LOT 2321F or later (production after the 4th week of May 2023)

Impact on products

There are no changes to the specifications. It can be used in the same way as before.

Details of Change

Please refer to the next page.

【 Contact 】

OPTEX FA CO., LTD.

TEL. +81-(0)75-325-1314

FAX. +81-(0)75-325-2936

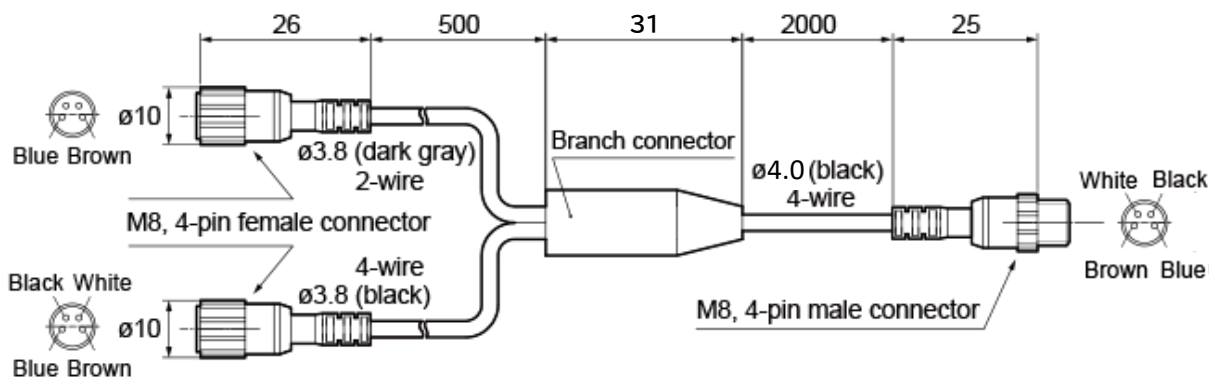
Thank you very much for your support for OPTEX FA products.

Sincerely,

International Department

OPTEX FA Co., Ltd.

● **Current Y branch cable (TDCN-Y2-M8)**



● **New Y branch cable (TDCN-Y2-M8)**

