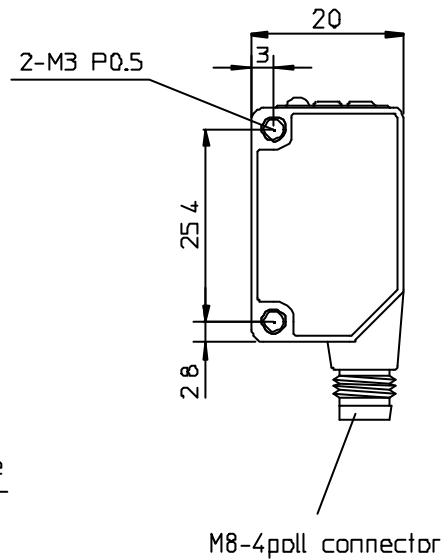
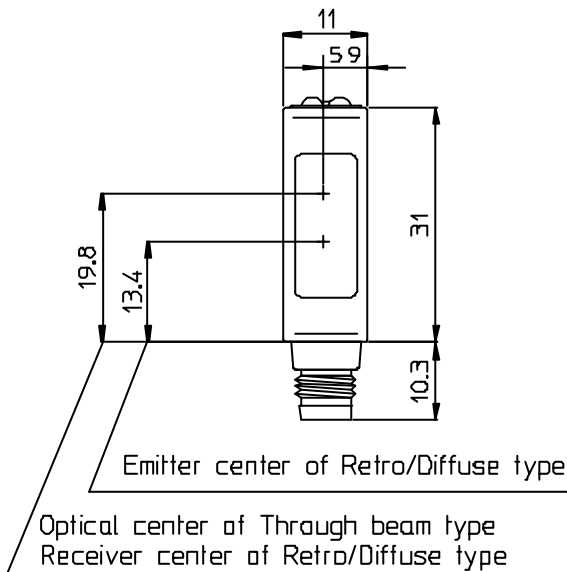
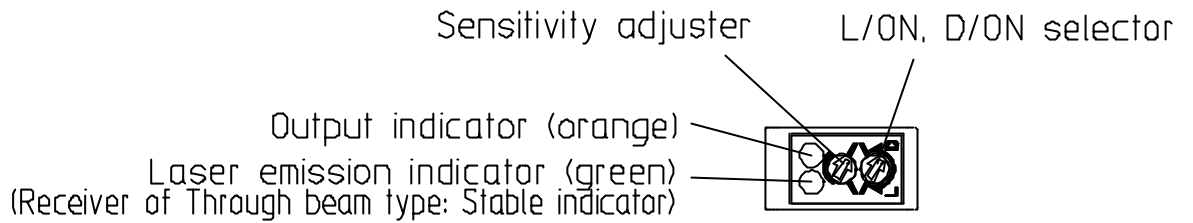


ZT-L Emitter



ZR-L/ZD-L/ZT-L Receiver



CON ND	QUAN	NAME	MATERIAL	STANDARD	DISPOSAL	REMARKS
A4	SCALE 1/1	UNIT m.m.	DATE 2008.10.9	DESCRIPTION Z□-L□□□□C Series [Connector type]		
APPROVED BY K.Matsumoto	CHECKED BY K.Matsumoto	DRAWN BY S.Nishimura	DESIGNED BY S.Nishimura	ITEM Dimensional drawing		
3RD ANGLE PROJECTION	OPTEX FA CO.,LTD.			DRAWING NO X88-Q503		