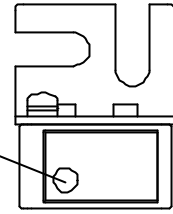


X88-Q502

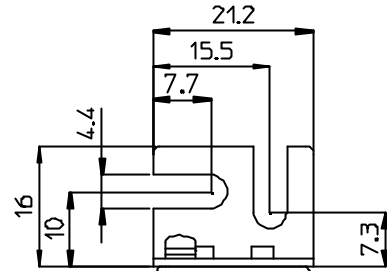
ZT-L Emitter

Laser emission indicator (green)

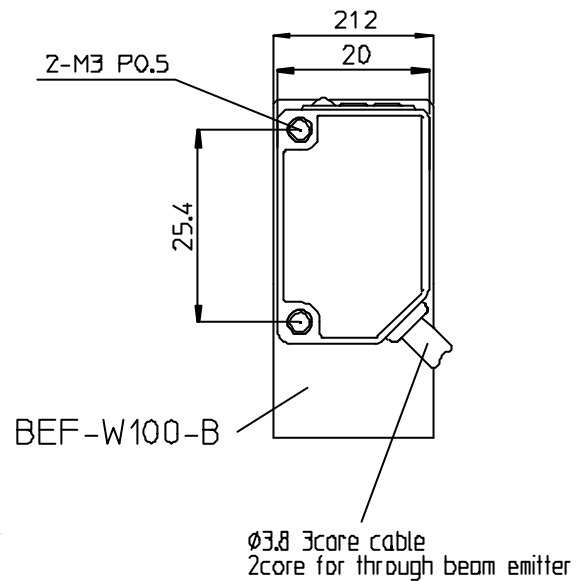
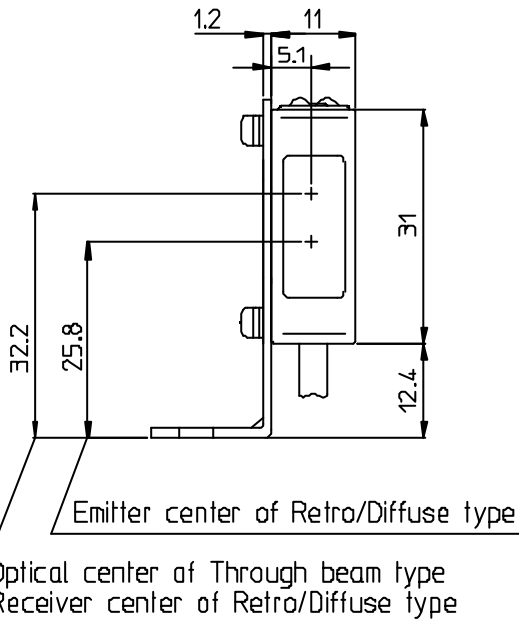


ZR-L/ZD-L/ZT-L Receiver

Output indicator (orange)  
Laser emission indicator (green)  
(Receiver of Through beam type: Stable indicator)



L/ON, D/ON selector  
Sensitivity adjuster



CON ND	QUAN	NAME	MATERIAL	STANDARD	DISPOSAL	REMARKS
<b>A4</b>	SCALE 1/1	UNIT m.m.	DATE 2008.10.9	DESCRIPTION <b>Z□-L□□□□ Series</b> <b>[ Cable type + bracket ]</b>		
APPROVED BY <b>K.Matsumoto</b>	CHECKED BY <b>K.Matsumoto</b>	DRAWNED BY <b>S.Nishimura</b>	DESIGNED BY <b>S.Nishimura</b>	ITEM Dimensional drawing		
3RD ANGLE PROJECTION	<b>OPTEX FA CO.,LTD.</b>			DRAWING NO <b>X88-Q502</b>		