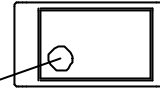


ZT-L Emitter

Laser emission indicator (green)



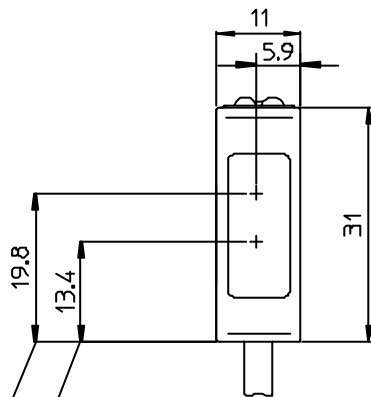
ZR-L/ZD-L/ZT-L Receiver

Sensitivity adjuster

L/ON, D/ON selector

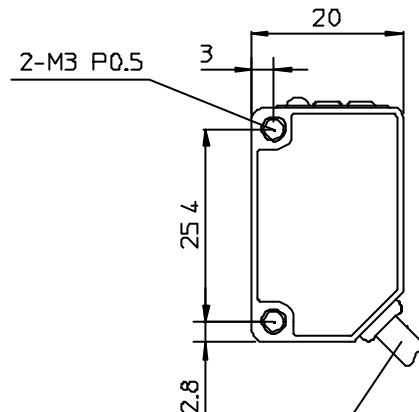
Output indicator (orange)

Laser emission indicator (green)
(Receiver of Through beam type: Stable indicator)



Emitter center of Retro/Diffuse type

Optical center of Through beam type
Receiver center of Retro/Diffuse type



∅3.8 3core cable
2core for through beam emitter

CON ND	QUAN	NAME	MATERIAL	STANDARD	DISPOSAL	REMARKS
A4	SCALE 1/1	UNIT m.m.	DATE 2008.10.9	DESCRIPTION Z□-L□□□□ Series [Cable type]		
APPROVED BY K.Matsumoto	CHECKED BY K.Matsumoto	DRAWN BY S.Nishimura	DESIGNED BY S.Nishimura	ITEM Dimensional drawing		
3RD ANGLE PROJECTION	OPTEX FA CO.,LTD.			DRAWING NO	X88-Q501	