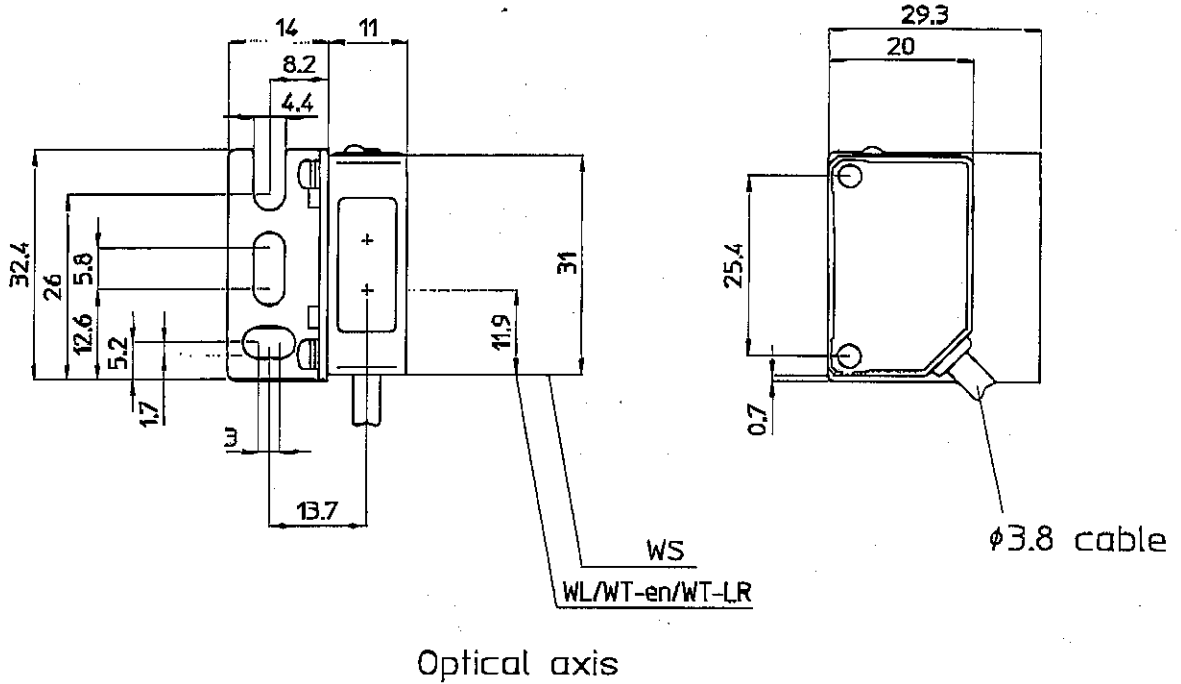
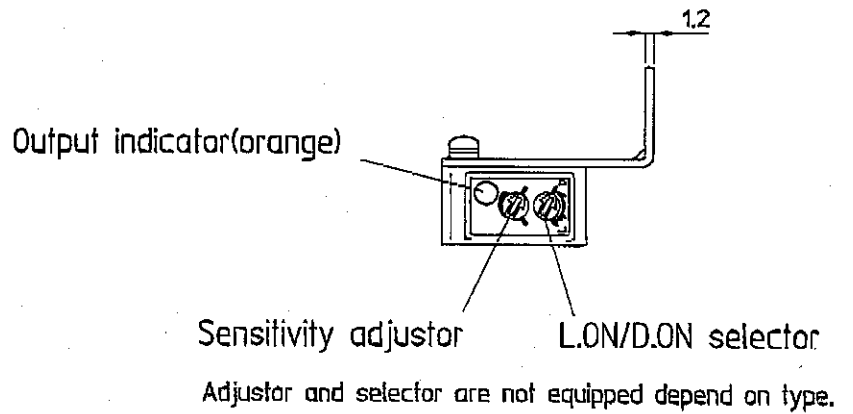


X69-Q003



CON.NO	QUAN	NAME	MATERIAL	STANDARD	DISPOSAL	REMARKS
A4	SCALE 1/1	UNIT m.m.	DATE 2002.6.14	DESCRIPTION ① W100 <i>optional</i> Cable type with standard bracket		
APPROVED BY K.Matsumoto	CHECKED BY K.Matsumoto	DRAWN BY R.Kumo	DESIGNED BY R.Kumo	ITEM Dimensions		
3RD ANGLE PROJECTION	OPTEX FA CO.,LTD.		DRAWING NO	X69-Q003		