

Exclusive for SHP series

SHP-M1 (remote monitor)

OPERATION MANUAL

We appreciate you purchase our products.
Please confirm the items to meet your need.
Before the use, you should first thoroughly read
this manual and operate correctly as mentioned.

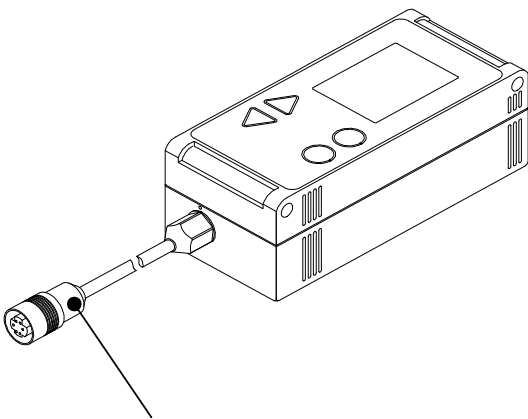
You should keep this manual at hand for proper use.

! Warnings

Switch off power supply of main sensor when setting remote monitor. It will cause unexpected accidents.

1 .Parts name

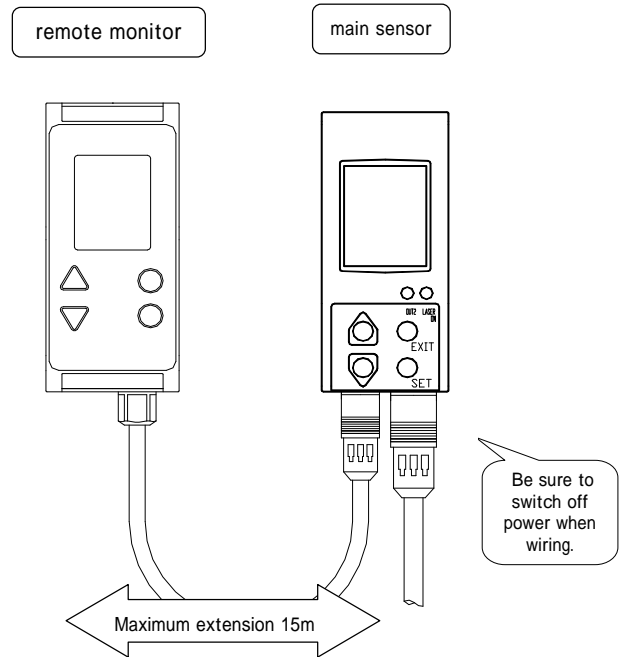
SHP-M1(remote monitor)



connector cable connect to main sensor

2.Wiring

Switch off power supply and connect the cable of remote monitor to the connector of main sensor. After confirming that cable will not be pulled out from the connector, switch on power supply.



With four optional accessories of extension cable CVS-C3S (3m)

3.Specification

SHP-M1(remote monitor)

supply voltage	DC12 ~ 24V (supply from main sensor)
current consumption	max100mA (12V) max 50mA (24V)
ambient temp	0 ~ 40
ambient humid	35 ~ 85% /RH
material	ABS/PMMA
protection category	IP67
weight	about 190g

This item receive power from main sensor,
do use the power supply of enough electric capacity.

Specifications and equipment are subject to change
without any obligations on the part of manufacture.
For more information, questions and comments
regarding products,please contact us below.