



Inverter Noise Killer equipped inside

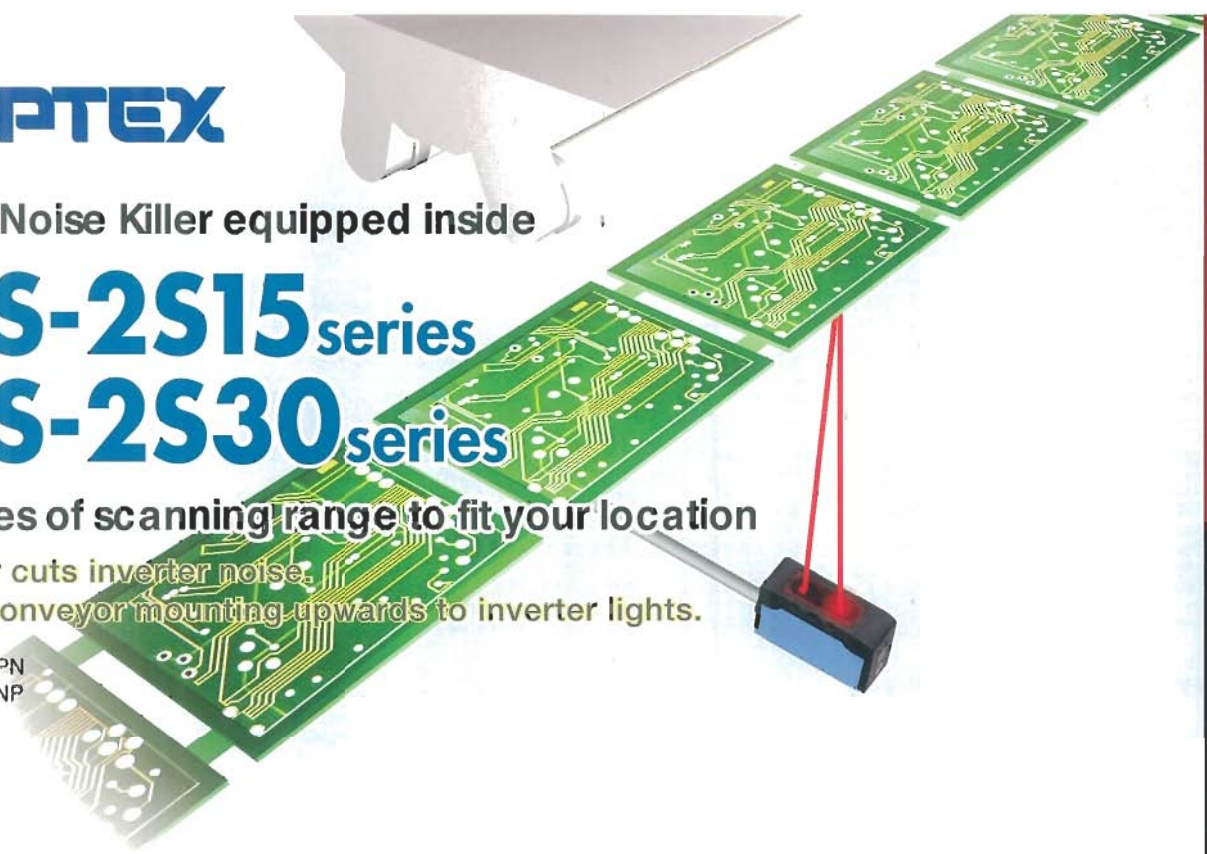
BGS-2S15 series BGS-2S30 series

Any types of scanning range to fit your location

Inner filter cuts inverter noise.

Ideal for conveyor mounting upwards to inverter lights.

BGS-2S15N : NPN
BGS-2S15P : PNP



New product information

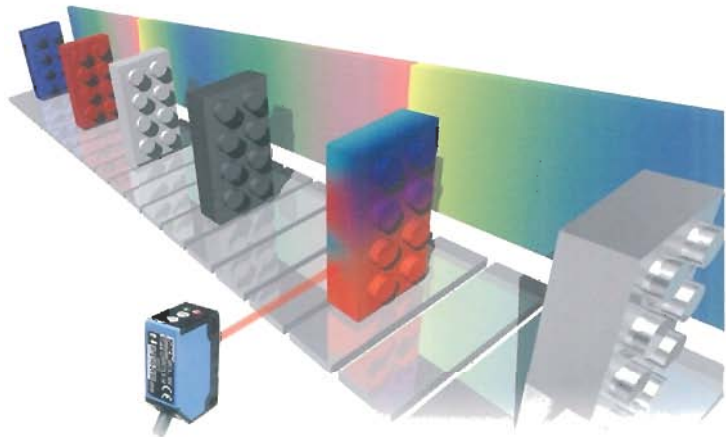
BGS-2S15 SERIES / BGS-2S30 SERIES

Features

One-shot-mold housing in
11 (w) × 31 (w) × 20 (w) mm
compact dimensions.



BGS type being influenced neither by substance
color nor by background.

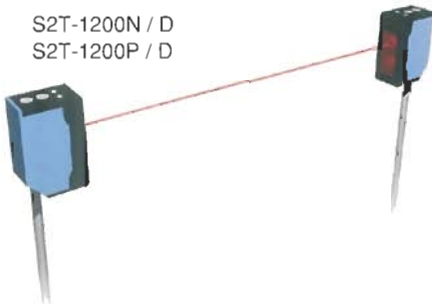


S2series

Simple and tough, fixed Dark-on type.
PNP, Connector (3pins, 4pins), types available.
Polarizing fillter inside, for glittering substances.

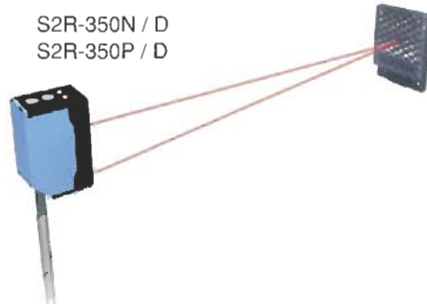
Through-Beam type

S2T-1200N / D
S2T-1200P / D



Retro Reflection type

S2R-350N / D
S2R-350P / D



BGS type

Standard
S2 series



World Standard

One product for the whole world



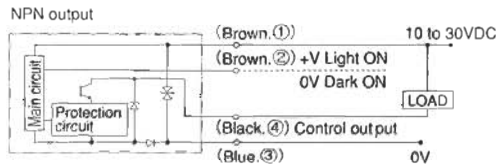
Specifications

S2 series <Standard type>

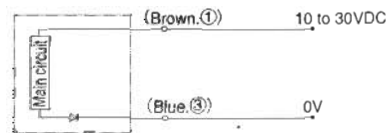
Model	Through-Beam	Retro Reflection	Diffuse Reflection (IR)	Diffuse Reflection (Red)	BGS
Cable type(NPN/PNP)	S2T-1200N / S2T-1200P	S2R-350N / S2R-350P	S2D-80NIR / S2D-80PIR	S2D-80N / S2D-80P	BGS-2S30N / BGS-2S30P
Connector type(NPN/PNP)	S2T-1200CN / S2T-1200CP	S2R-350CN / S2R-350CP	S2D-80CNIR / S2D-80CPIR	S2D-80CN / S2D-80CP	BGS-2S30CN / BGS-2S30CP
Timer type					BGS-2S30NT / BGS-2S30PT
Anti-inverter type	Cable type(NPN/PNP)				BGS-2S30CNT / BGS-2S30CPT
Timer type					BGS-2S15N / BGS-2S15P
Option	BL-140-POL.F, interference killer				BGS-2S15NT / BGS-2S15PT
Scanning Range	12 meter	3.5 meter	80 cm	80 cm	25 - 150mm / 18% (BGS-2S15) 25 - 300mm / 18% (BGS-2S30)
Power consumption	35mA Max	30mA Max		30mA Max	30mA Max
Response	0.5 msec	0.5 msec		0.5 msec	0.5 msec
Mode					Light / Dark On switchable
Hysteresis					20 %
Spot Size	400mm @ 7 meter	150mm @ 2.5 meter		150mm @ 2.5 meter	10% @ 100mm
Emitter LED	Red	Red	Infrared	Red	15mm @ 200mm
Supply voltage					Red
Control output					DC10 - 30V incl. 10% ripple
Sensitivity adjustment					NPN/PNP open collector, 100mA / 1.8V Max
Protection Category					Single rotatory potentiometer
Timer					6 rotatory potentiometer
Shock resistance					IP67
Remarks					N / A
					0-100msec variable
					50G
					(1) 5 meter cable type is available on request of 50pcs a lot.
					(2) Connector types are prepared for either 3 pins or 4 pins

Connection diagram

< Receiver : Standard type >

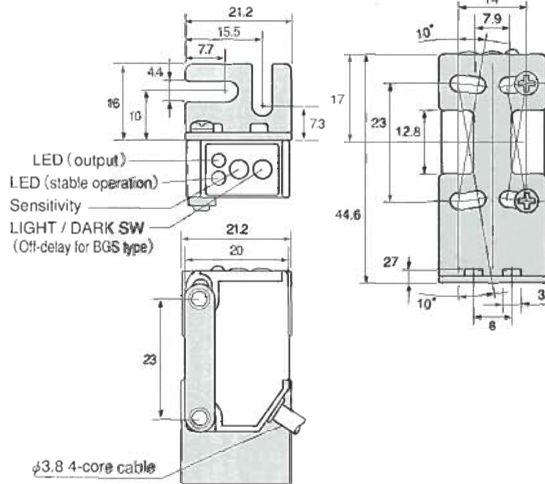


< Emitter : Common to all types >

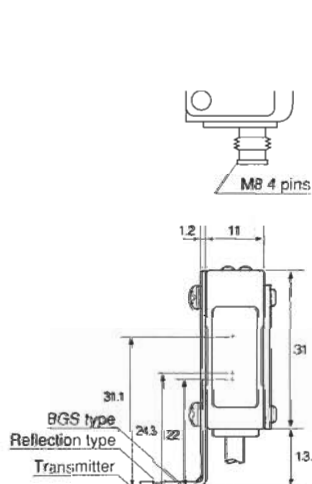


Dimensions

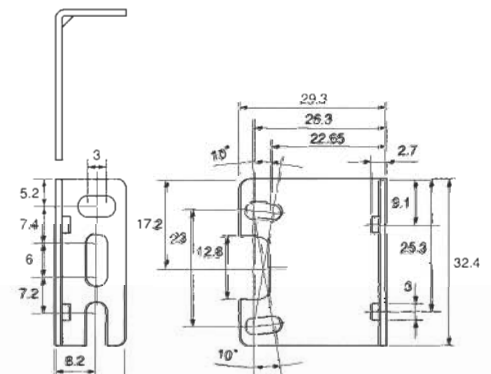
Cable Type (With Bracket BEF-W140B)



Connector Type



Option (Bracket BEF-W140A)



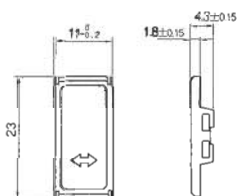
<3Pins Configuration>



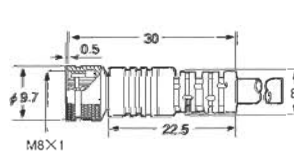
<4Pins Configuration>



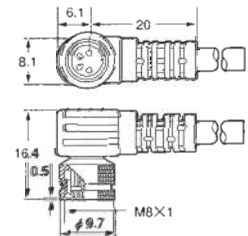
Filter cover
BL-W140-POL.F



Straight connector
JCN-S



L-shape connector
JCN-L



Remark : BGS type gives out cable at the bottom of the housing as shown top in the front page picture.

(Unit : mm)



OPTEX FA CO., LTD.

46-1 Takehanadounomae-cho Yamashina-ku Kyoto 607-8085 Japan
TEL +81-75-594-8123 FAX +81-75-594-8124