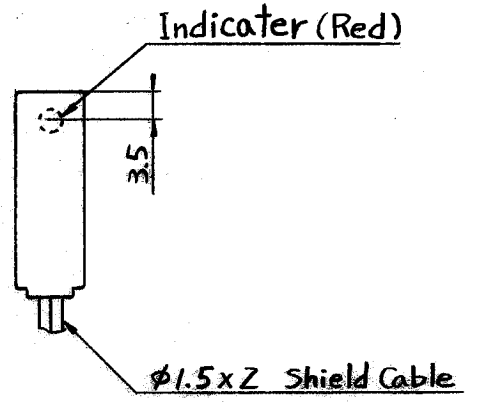
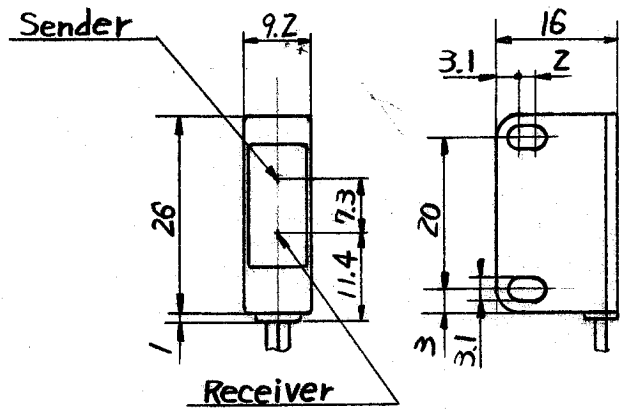
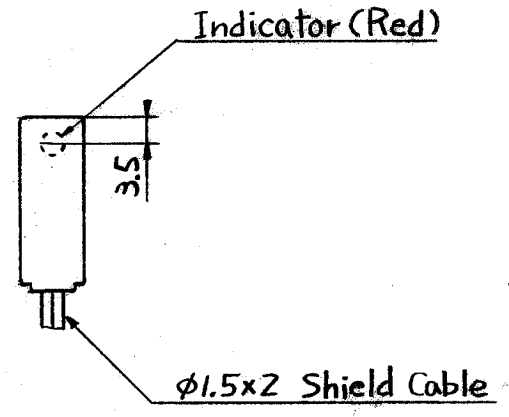
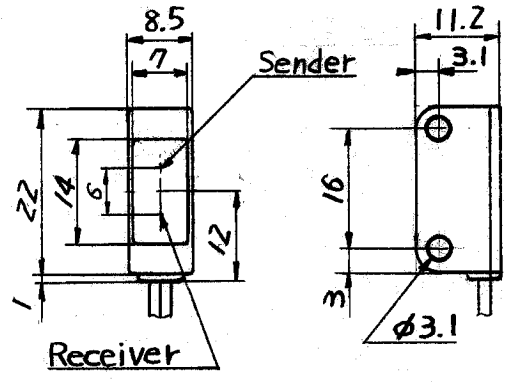


△			
△			
△			



SICK version
ST130-S23, S29, S13, S19

OPTEX version
RS-20R, 16G, RM-16R, 16G



SICK version
ST130-S33

OPTEX version
RD-150

CON.NO	QUAN	NAME	MATERIAL	STANDARD	DISPOSAL	REMARKS
A 4	SCALE 1/1	UNIT mm	DATE '96.12.3	DESCRIPTION		
APPROVED BY	CHECKED BY	DRAWN BY	DESIGNED BY	X38 Sensor Head		
		<i>Kmatuto</i>	<i>Kmatuto</i>	ITEM Dimensions		
3RD ANGLE PROJECTION	OPTEX FA CO.,LTD.			DRAWING NO. X38-Q007		