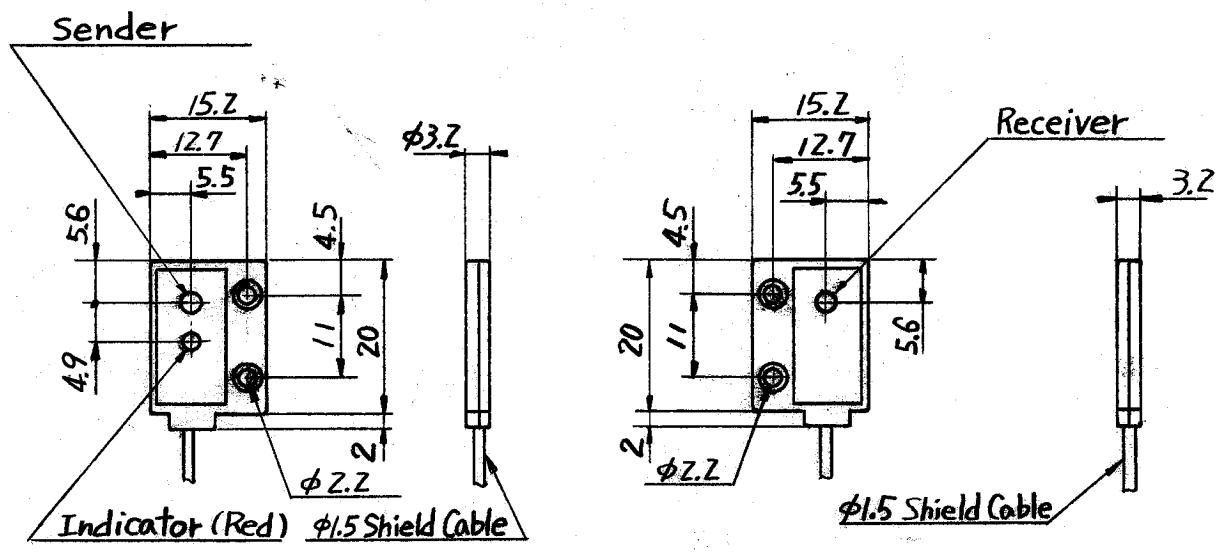


△			
△			
△			

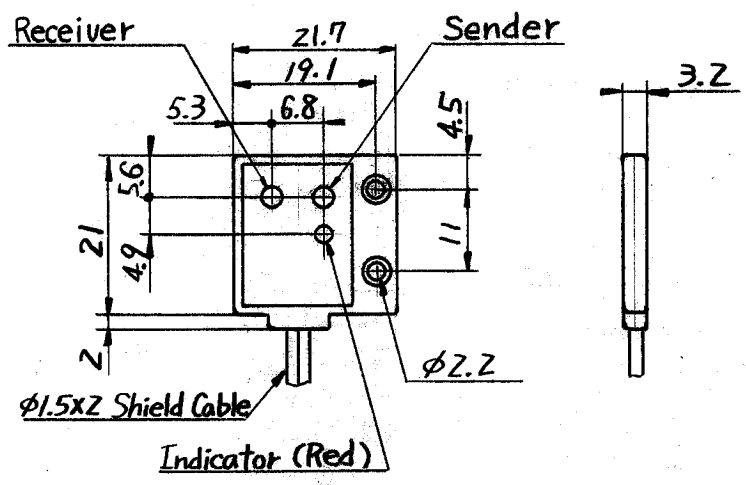


SICK version
SS130-F33

OPTEX version
RT-F300D

SICK version
SE130-F33

OPTEX version
RT-F300



SICK version
ST130-F43

OPTEX version
RD-F50

CON.NO	QUAN	NAME	MATERIAL	STANDARD	DISPOSAL	REMARKS
A 4	SCALE 1/1	UNIT mm	DATE '96.12.3	DESCRIPTION		
APPROVED BY	CHECKED BY	DRAWN BY	DESIGNED BY	X38 Sensor Head		
3RD ANGLE PROJECTION				ITEM		Dimensions
OPTEX FA CO.,LTD.				DRAWING NO.		X38-0009