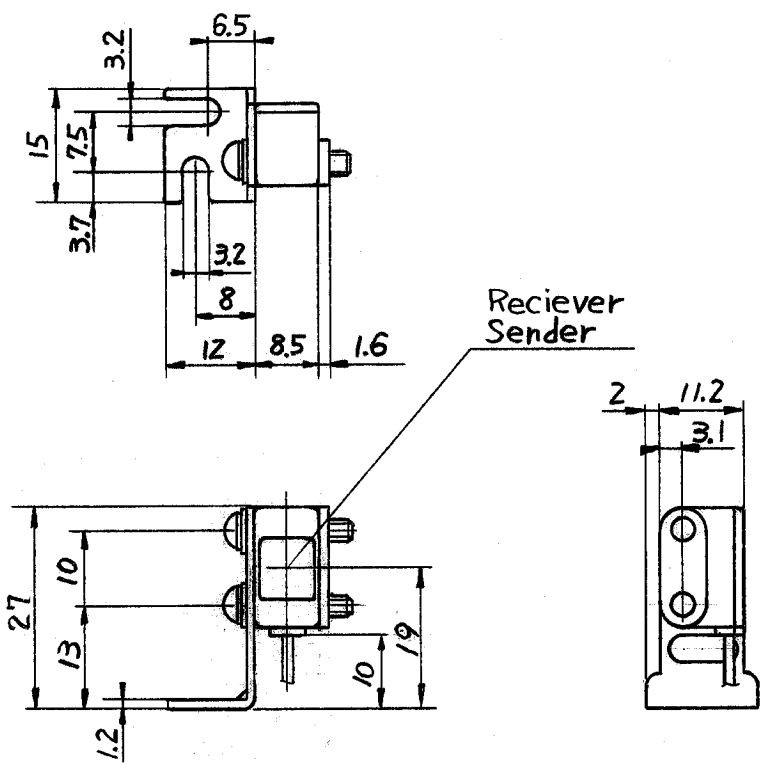


X38-Q004

⚠			
⚠			
⚠			



CON.NO	QUAN	NAME	MATERIAL	STANDARD	DISPOSAL	REMARKS
A 4	SCALE 1/1	UNIT mm	DATE 1996.7.4	DESCRIPTION RT-1500 X38 Through-Beam Long Dimension		
APPROVED BY <i>Kmatunto</i>	CHECKED BY <i>Jare</i>	DRAWN BY <i>Kmatunto</i>	DESIGNED BY <i>Kmatunto</i>	ITEM		
3RD ANGLE PROJECTION	OPTEX FA CO.,LTD.			DRAWING NO. X38-Q004		