

# Instruction Manual for Adjustable Voltage Power Supply for LED Lights OPPWW - 10 - 1 ( 10W Power supply )

## 1 . Product outline

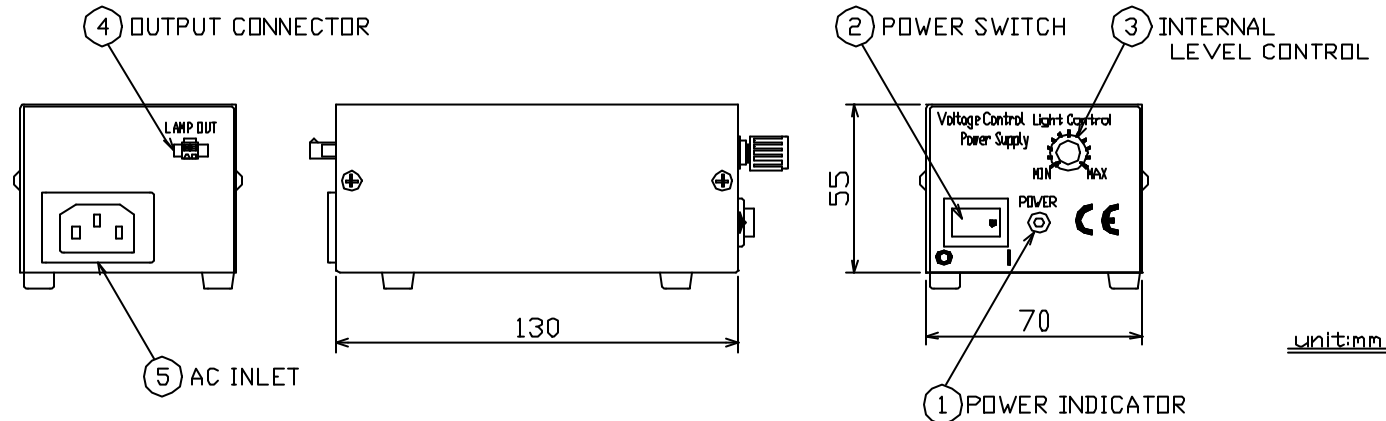
- This product is an adjustable power supply only for LED Lights. Please do not use it in addition to our company's LED Lights.
- When changed the output voltage with a knob of front panel, can control brightness of LED Light.
- The input voltage is AC100~240V.
- This product obtained CE mark.

## 2 . Accessories and appearance

- Accessories : Instruction Manual (this sheet) 1 piece  
: power cable (only AC100V) 1 piece

Note : If you operate this product for input voltage exceeding AC100V, please prepare a suitable power cable by yourself.

### Appearance



## 3 . Safety

<b>Warning</b>	
( 1 ) Do not open the cover of a unit. There is a portion of high voltage inside of a power supply, and there is a possibility of receiving an electric shock in it.	
( 2 ) Connect directly the plug of a power supply to a wall socket. There is a cause of fire when you use an extension cable.	
( 3 ) Do not touch a power supply plug by the wet hand. There is a possibility of receiving an electric shock.	
( 4 ) Use a power supply, grounding it. When not grounded, there is a possibility of receiving an electric shock.	
( 5 ) When abnormalities to which a main part gets hot, a strange smell and/or smoke comes out arise, stop use immediately, shut off a power supply and pull out a power supply plug from a wall socket.	
( 6 ) Do not look at LED Light directly, it may have bad influence on your eyes.	

<b>Cautions</b>	
( 1 ) Make connection of AC input cable and a LED Light cable after turning off the switch of a power supply unit.	
( 2 ) Do not place any objects on a power supply.	
( 3 ) Do not expose a power supply unit to sunlight or humidity directly.	
( 4 ) When not used for a long period of time, pull out a power supply plug from the unit.	
( 5 ) LED Light should be used at the strength of light at least in a half, when you use the constant light always, since a life will become short if used in the environment of a high temperature.	
( 6 ) When abnormalities happen at a power supply unit, stop use immediately and contact to our company. Do not repair by the customer. ( A product cannot be guaranteed, when a customer has an inside of a power supply changed or repaired. )	

### Product warranties

- 1 . If it should break down within the term of a guarantee(delivery-of-goods day for 12 months) under a customer's normal use condition based on notes, such as this handling description, or when initial [poor] accepts, We will carry out repair and exchange of a failure part gratuitously.
- 2 . However, We cannot guarantee on condition that external factors [ , such as strong shock / natural disaster / water, steam oil, acid, radiation, etc. ], such as an error on use / use of the lighting equipment of those other than our company / unjust decomposition, and reconstruction / fall, etc.

## 4 . Specifications

- 4 - 1 Input-and-output voltage  
 Input voltage : AC100-240V 0.3A/100V 0.15A/240V (MAX)  
 Frequency of operation : 50/60Hz  
 Rated output : DC12V 0.9A 10W
- 4 - 2 Control of brightness  
 Method of control : Changing output voltage  
 System of control : Control the brightness by the VR knob (LAMP 1 )  
 Range of control : DC6.6V~12V (At the environmental within the limits of operational condition)  
 Since the scale position does not correspond to the adjusted bright level, please use a scale as a reference.  
 Brightness control range (a lighting range and a lights out range) has a different case with a lighting equipment.
- 4 - 3 Environment of operation  
 Circumferential temperature : -10 ~ +40  
 Circumferential humidity : 20 ~ 70%RH ( Don't dew )

### 4 - 4 Connectors

- Output connector (LAMP OUT) : SM connector SMP-02V-BC (Made by JST)

Pin No.	12V output type
1	Output +(+12V)
2	Output -

