

Instruction Manual for Adjustable Voltage Power Supply for LED Lights OPPV - 30 (30W Power supply)

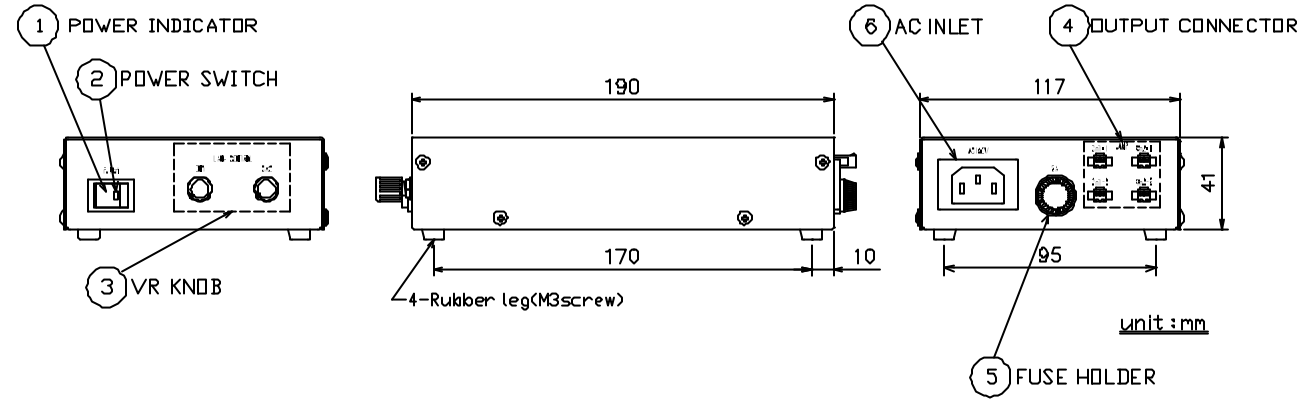
1 . Product outline

- This product is an adjustable power supply only for LED Lights. Please do not use it in addition to our company's LED Lights.
- When changed the output voltage with a knob of front panel, can control brightness of LED Light.

2 . Accessories and appearance

Accessories : Instruction Manual (this sheet) 1 piece
: power cable (only AC100V) 1 piece

Appearance



3 . Safety

Warning	
(1) Do not open the cover of a unit. There is a portion of high voltage inside of a power supply, and there is a possibility of receiving an electric shock in it.	
(2) Connect directly the plug of a power supply to a wall socket. There is a cause of fire when you use an extension cable.	
(3) Do not touch a power supply plug by the wet hand. There is a possibility of receiving an electric shock.	
(4) Use a power supply, grounding it. When not grounded, there is a possibility of receiving an electric shock.	
(5) When abnormalities to which a main part gets hot, a strange smell and/or smoke comes out arise, stop use immediately, shut off a power supply and pull out a power supply plug from a wall socket.	
(6) Do not look at LED Light directly, it may have bad influence on your eyes.	

Cautions	
(1) Make connection of AC input cable and a LED Light cable after turning off the switch of a power supply unit.	
(2) Do not place any objects on a power supply.	
(3) Do not expose a power supply unit to sunlight or humidity directly.	
(4) When not used for a long period of time, pull out a power supply plug from the unit.	
(5) LED Light should be used at the strength of light at least in a half, when you use the constant light always, since a life will become short if used in the environment of a high temperature.	
(6) When abnormalities happen at a power supply unit, stop use immediately and contact to our company. Do not repair by the customer. (A product cannot be guaranteed, when a customer has an inside of a power supply changed or repaired.)	

Product warranties

- 1 . If it should break down within the term of a guarantee(delivery-of-goods day for 12 months) under a customer's normal use condition based on notes, such as this handling description, or when initial [poor] accepts, We will carry out repair and exchange of a failure part gratuitously.
- 2 . However, We cannot guarantee on condition that external factors [, such as strong shock / natural disaster / water, steam oil, acid, radiation, etc.,], such as an error on use / use of the lighting equipment of those other than our company / unjust decomposition, and reconstruction / fall, etc.

4 . Specifications

- 4 - 1 Input-and-output voltage
 - Input voltage : AC100V 0.5A(MAX)
 - Frequency of operation : 50/60Hz
 - Rated output : DC12V 1.66A
- 4 - 2 Control of brightness
 - Method of control : Changing output voltage
 - System of control : Control the brightness by the VR knob (LAMP 1,2)
 - Range of control : DC6.6V~12V (At the environmental within the limits of operational condition)
Since the scale position does not correspond to the adjusted bright level, please use a scale as a reference.
Brightness control range (a lighting range and a lights out range) has a different case with a lighting equipment.
- 4 - 3 Environment of operation
 - Circumferential temperature : -10 ~ +40
 - Circumferential humidity : 20 ~ 70%RH (Don't dew)
- 4 - 4 Connectors
 - Output connector (LAMP CH1~CH2) : SM connector SMP-02V-BC (Made by JST)

Pin No.	12V output type
1	Output +(+12V)
2	Output -

